

FLOW MEASUREMENT & CONTROL

Bypass Flowmeter Code 4912

Conflow is renowned the world over as the leading supplier of specialist components and systems for dust suppression, fire suppression and all aspects of water control in underground coal Mining.

Today Conflow products can be found operating both on the surface and underground in all the major mining industries, from coal to gold, in more than 30 countries around the world. Furthermore, wherever minerals are moved in bulk – such as quarries, power stations and steel works - Conflow products are helping to reduce the negative impact on the local environment.

At Conflow our aim is to provide you with a comprehensive range of services to meet your individual needs.



Description

The **Conflow Code 4912** - Bypass Flowmeter indicates the volume rate of flow of fluid in a pipeline.

It has been designed specially for high flow – high-pressure situations where a conventional in-line flowmeter is impractical.

Although only a small percentage of the total flow passes through the meter, the dial indicates the complete amount due to the directly proportional relationship between the two flows.

The main body tube of the unit is simply a section of the same diameter as the pipeline, so that a minimal amount of pressure resistance is created across the meter.

Typical Applications

- For feed lines on roof support systems where large flow and pressures are present
- For return lines on roof support systems where minimum resistance is a requirement

FLOW MEASUREMENT & CONTROL

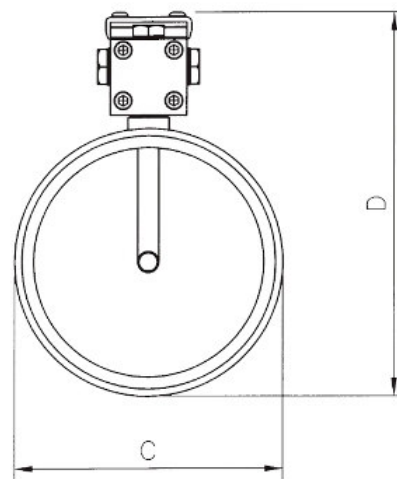
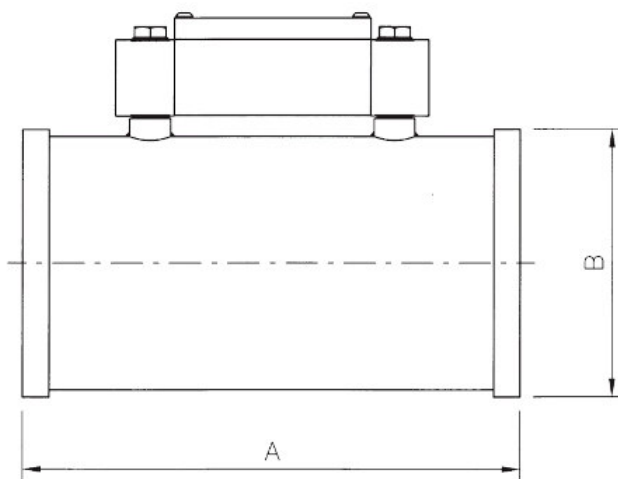
Bypass Flowmeter Code 4912

Features

- 1 1/2", 2", 3", 4" and 6" sizes available
- Maximum working pressure up to 315 bar
- Based on the Conflow 452 Flowmeter
- Screwed, victaulic and Stapelock versions available
- Suitable for high flows (up to 1000 GPM) within a compact unit

Specifications

	DIMENSIONS (mm)			
Unit Size	1 1/2"	2"	3"	4"
A	355	355	355	355
B	58	70	96	122
C	58	70	96	122
D	148	160	185	212
WEIGHT	12.1 Kg	13 Kg	14.2 Kg	14.9 Kg
TYPICAL FLOW RANGE (LPM)	50	100	200	300 – 3000
	500	1000	2000	300 – 3000



The information on this data sheet is accurate to the best of Conflow's knowledge, however we reserve the right to alter the product specification at any time. For any specific updated detail, please contact us.