

PRESSURE MEASUREMENT & CONTROL

Pressure Gauge Code 91

Conflow is renowned the world over as the leading supplier of specialist components and systems for dust suppression, fire suppression and all aspects of water control in underground coal Mining.

Today Conflow products can be found operating both on the surface and underground in all the major mining industries, from coal to gold, in more than 30 countries around the world. Furthermore, wherever minerals are moved in bulk – such as quarries, power stations and steel works - Conflow products are helping to reduce the negative impact on the local environment.

At Conflow our aim is to provide you with a comprehensive range of services to meet your individual needs.



Description

The **Conflow Code 91** - Pressure Gauge is a traditional bourdon tube type unit, but designed specially for hazardous environments.

The case of the gauge is exceptionally robust to withstand external damage in tough and arduous areas.

Internally, facilities for damping out hydraulic oscillations are built in to enable steady pressure readings to be taken close to triple ram pumps. When the gauge is screwed into place by means of the hexagon shank, the whole carcass of the unit can be rotated by hand until the most readable dial position is presented.

Typical Applications

- Checking water circuit system pressures on coal cutting machines
- Checking mains water pressures in underground mines at various points throughout the mine
- Checking feed and return line hydraulic pressures on roof support systems

PRESSURE MEASUREMENT & CONTROL

Pressure Gauge Code 91

Features

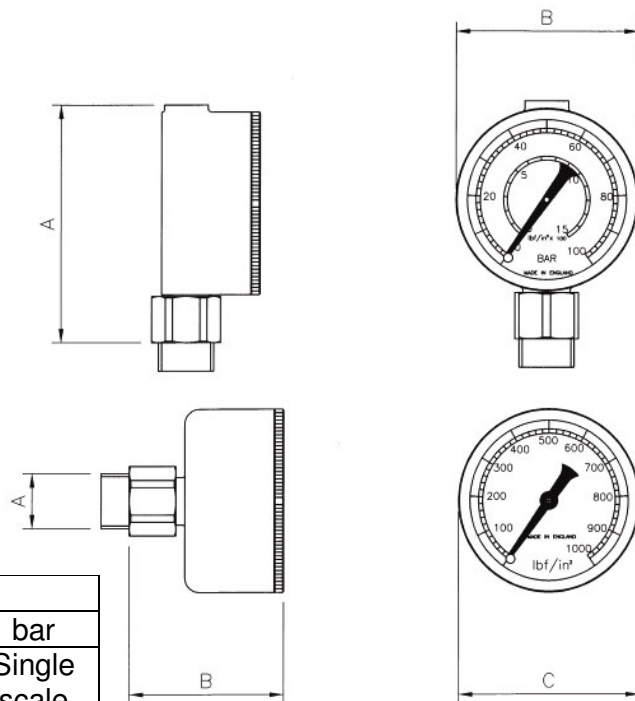
- 3/8" BSP fitting (1/4" available on request)
- Pressure ranges from 20 to 1000 bar
- Horizontal and vertical mountings
- Robust design, ideal for arduous mining conditions
- Case can be turned to give optimal viewing position
- Bezel rotates to set red line dial marker
- Constructed with safety blow out plug

Specifications

CODE 91V	
Unit Size	3/8" BSP
A	105
B	85
Weight	0.85 Kg

CODE 91H	
Unit Size	3/8" BSP
A	70
B	82
Weight	0.85 Kg

"H" Pattern		"V" Pattern			
p.s.i.	bar	p.s.i.	bar	p.s.i.	bar
1500	100	290	20	5000	Single scale
2250	150	750	50	6000	Single scale
3000	200	1500	100	10000	Single scale
4500	300	2250	150	15000	1000
6000	400	3000	200	-	-
-	-	4500	300	-	-



The information on this data sheet is accurate to the best of Conflow's knowledge, however we reserve the right to alter the product specification at any time. For any specific updated detail, please contact us.