

PRESSURE MEASUREMENT & CONTROL

Relief Valves Code 63

Conflow is renowned the world over as the leading supplier of specialist components and systems for dust suppression, fire suppression and all aspects of water control in underground coal Mining.

Today Conflow products can be found operating both on the surface and underground in all the major mining industries, from coal to gold, in more than 30 countries around the world. Furthermore, wherever minerals are moved in bulk – such as quarries, power stations and steel works - Conflow products are helping to reduce the negative impact on the local environment.

At Conflow our aim is to provide you with a comprehensive range of services to meet your individual needs.



Description

The Conflow Code 63 - Relief Valves protect equipment from damage due to over pressurising.

The valve is simple and reliable with a side discharge which can be hosed away to safety if necessary.

The relief pressure is set by turning a spring adjuster. A range of different springs provides a wide range of pressure setting options.

Typical Applications

- To protect systems from reducing valve failure due to the ingress of debris
- To protect motor cooling jackets from over pressure

PRESSURE MEASUREMENT & CONTROL

Relief Valves Code 63

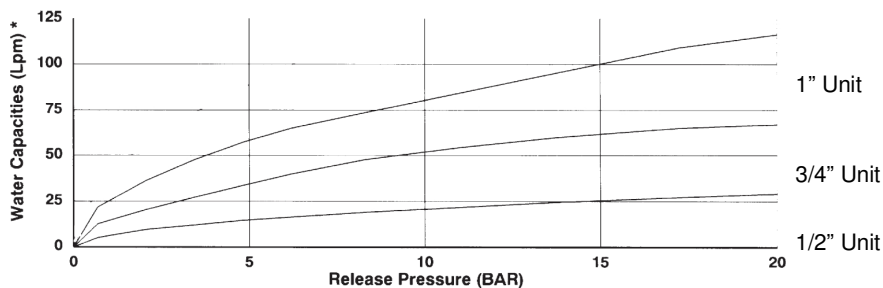
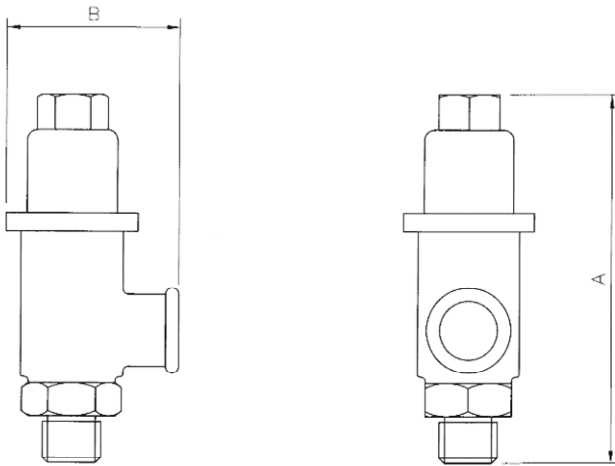
Features

- 1/2", 3/4" and 1" sizes available
- Maximum working pressure 40 bar
- Adjustable pressure relief ranges up to 40 bar
- Brass construction
- Discharge to atmosphere or hose-away

Specifications

Unit Size	1/2"	3/4"	1"
A	127	155	163
B	53	60	74
Weight	0.57 Kg	0.87 Kg	1.59 Kg

Pressure Ranges
2.1 – 3.5 bar
3.5 – 5.8 bar
5.8 – 9.3 bar
9.3 – 22 bar
22 – 37 bar



The information on this data sheet is accurate to the best of Conflow's knowledge, however we reserve the right to alter the product specification at any time. For any specific updated detail, please contact us.