

## PRESSURE MEASUREMENT & CONTROL

### Adjustable Reducing Valves

Code 44

Conflow is renowned the world over as the leading supplier of specialist components and systems for dust suppression, fire suppression and all aspects of water control in underground coal Mining.

Today Conflow products can be found operating both on the surface and underground in all the major mining industries, from coal to gold, in more than 30 countries around the world. Furthermore, wherever minerals are moved in bulk – such as quarries, power stations and steel works - Conflow products are helping to reduce the negative impact on the local environment.

At Conflow our aim is to provide you with a comprehensive range of services to meet your individual needs.



### Description

The Conflow Code 44 - Adjustable Pressure Reducing Valve provides a pre-determined outlet fluid pressure irrespective of variation of inlet pressure.

The valve operates on a simple throttling principle.

The throttle adjustment is achieved by the downstream pressure acting on a spring-loaded piston to open and close the valve. Thus the flow through the valve is reduced and increased as the inlet pressure fluctuates, in order to maintain constant downstream pressure.

Adjustment of the set pressure is carried out by increasing or reducing the spring compression by turning the adjusting screw.

### Typical Applications

- To reduce the water mains pressure to a level suitable for dust suppression in underground mines
- Pressure reduction for water circuits on cutting machines, i.e. motor cooling circuits, dust suppression circuits and machine mounted fire hoses

## PRESSURE MEASUREMENT & CONTROL

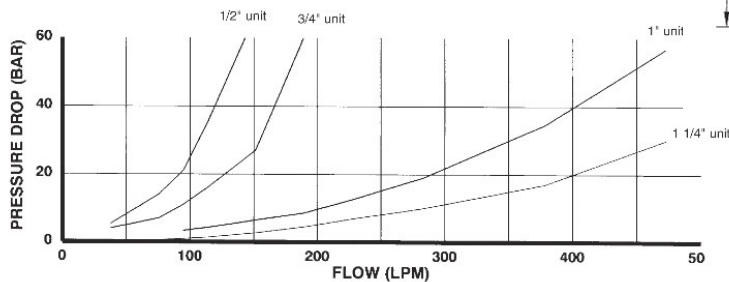
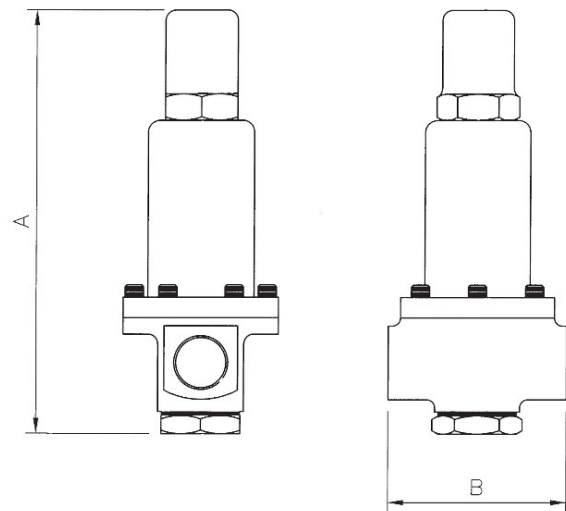
### Adjustable Reducing Valves Code 44

#### Features

- 1/2", 3/4", 1" and 1 1/4" sizes available
- Maximum working pressure 206 bar
- Low, High and Extra High outlet pressure types
- Simple screw adjustment of pressure reduction
- Pressure reduction range up to 124 bar

#### Specifications

Unit Size	1/2"	3/4"	1"	1 1/4"
<b>A</b>	250	311	325	325
<b>B</b>	84	124	124	140
<b>Weight</b>	3.4 Kg	8.6 Kg	9.3 Kg	9.7 Kg



#### TECHNICAL DATA

Maximum upstream pressure <b>(LOS &amp; HOS types)</b>	<b>105 bar</b>
Downstream adjustable Pressure range <b>(LOS type)</b>	<b>1.4 to 21 bar</b>
Downstream adjustable Pressure range <b>(HOS type)</b>	<b>21 to 41 bar</b>
Maximum upstream pressure <b>(XOX types)</b>	<b>1/2" ONLY 207 bar</b>
	<b>3/4" ONLY 137 bar</b>
Downstream adjustable Pressure range <b>(XOX type)</b>	<b>1/2" ONLY 14-124 bar</b>
	<b>3/4" ONLY 21/41 bar</b>

*The information on this data sheet is accurate to the best of Conflow's knowledge, however we reserve the right to alter the product specification at any time. For any specific updated detail, please contact us.*