

DUST SUPPRESSION

Multi Disc Cluster Sprays Code 96

Conflow is renowned the world over as the leading supplier of specialist components and systems for dust suppression, fire suppression and all aspects of water control in underground coal Mining.

Today Conflow products can be found operating both on the surface and underground in all the major mining industries, from coal to gold, in more than 30 countries around the world. Furthermore, wherever minerals are moved in bulk – such as quarries, power stations and steel works - Conflow products are helping to reduce the negative impact on the local environment.

At Conflow our aim is to provide you with a comprehensive range of services to meet your individual needs.



Description

The **Conflow Code 96 - Multidisc Cluster Spray** incorporates five spray heads into one compact unit affording extensive liquid discharge and coverage. The combined spray form is ideally suitable for large volume spraying. The unit uses five Code 1266 spray discs and hence offers all the spray form options from extra fine to solid heavy cone.

Typical Applications

- This spray is ideal for dust suppression at conveyer transfer points where a concentrated water application is required from a single easily sited spray head.
- Washing the product

Features

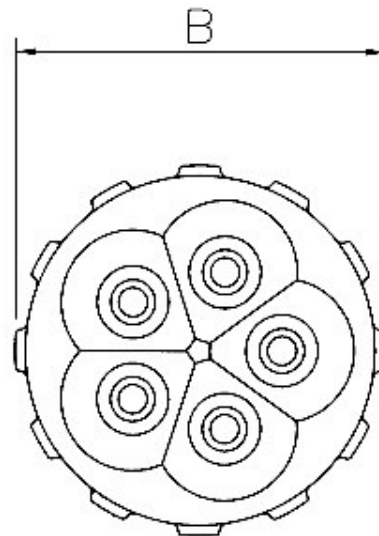
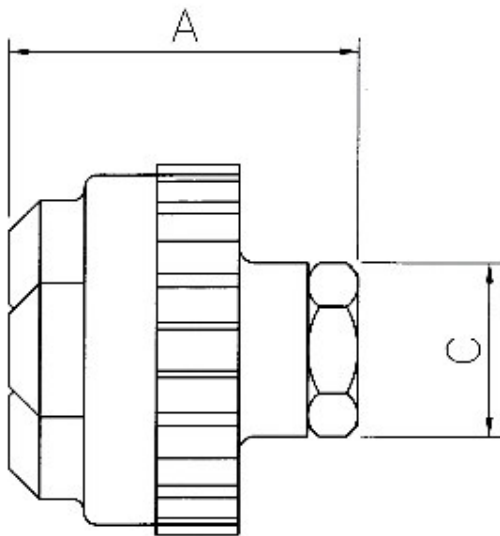
- 1/2" screw size (BSP or NPT)
- Maximum working pressure 105 bar
- 90° solid cone spray form
- Internal filter to prevent clogging (easily removed for cleaning)
- Brass construction

DUST SUPPRESSION

Multi Disc Cluster Sprays Code 96

Specifications

Dimension	Unit	
A	mm	49
B	mm	56
C	mm	38
Weight	Kg	0.53Kg



Disc No. Spray	Form Solid cone	Inlet Size	Orifice Dia	Flow Rate (LPM) at Pressure (BAR)			
				3.5	10	17.5	25
1	Extra fine	1/2"	5x 5/16"	18	32	41	48
2	Fine	1/2"	5x 5/16"	23	36	46	52
3	Medium	1/2"	5x 5/16"	36	55	69	68
4	Coarse	1/2"	5x 5/16"	50	64	77	82
5	Heavy	1/2"	5x 5/16"	64	100	119	127

The information on this data sheet is accurate to the best of Conflow's knowledge, however we reserve the right to alter the product specification at any time. For any specific updated detail, please contact us.