

DUST SUPPRESSION

Venturi Sprays Code 1912

Conflow is renowned the world over as the leading supplier of specialist components and systems for dust suppression, fire suppression and all aspects of water control in underground coal Mining.

Today Conflow products can be found operating both on the surface and underground in all the major mining industries, from coal to gold, in more than 30 countries around the world. Furthermore, wherever minerals are moved in bulk – such as quarries, power stations and steel works - Conflow products are helping to reduce the negative impact on the local environment.

At Conflow our aim is to provide you with a comprehensive range of services to meet your individual needs.



Description

The **Conflow Code 1912** - Venturi Spray produces a powerful jet providing a dense coverage of dust suppression water.

As the spray fills the body tube with water, it creates a vacuum into which the surrounding air and dust is drawn. This has a dual effect of capturing and suppressing airborne dust and diluting any gasses that may be in the vicinity.

For maximum efficiency the spray nozzle produces a 'hollow cone' spray form, minimising the amount of water used.

Typical Applications

- To dilute methane gas and suppress dust in the vicinity of the cutting drum of mineral extraction machines
- Used as an air mover in shutes and feeder breakers

Features

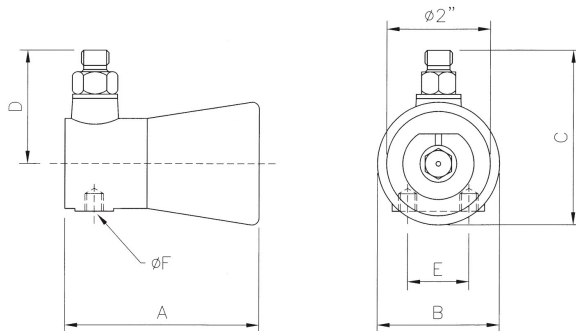
- 1/2" BSP or NPT inlet
- Maximum working pressure 105 bar
- Ideal for dust suppression
- Produces a dense saturating spray
- Available with 5 orifice sizes

DUST SUPPRESSION

Venturi Sprays Code 1912

Specifications

Dimension	Unit	
A	mm	139
B	mm	89
C	mm	115
D	mm	65
E	mm	45
F	mm	M 12
Weight	Kg	2.17 Kg



DISC NO. + ORIFICE	PRESSURE (BAR)	FLOW (LPM)	AIR VELOCITY (M/S)	AIR QUANTITY (L/S)	JET LENGTH (cm)	SPRAY ANGLE (Degrees)
1 2.4 mm	15.2	6.8	5.5	66.1	3.05	4
	34.5	10.5	8.7	105.3	4.27	12
	55.2	14.5	11.6	138.8	5.18	15
	69	15.4	12.7	153.4	6.71	8
	82.8	16.8	14.5	174.6	8.23	8
2 3.2 mm	13.8	8.6	4.7	57.1	4.27	5
	34.5	14.5	6.5	78.8	5.49	10
	55.2	18.2	9.4	113.3	6.71	12
	69	20.9	11.1	134	7.63	13
	82.8	24.5	11.6	139.7	8.85	10
3 3.2 mm	13.8	9.5	4.4	52.9	5.49	10
	34.5	14.1	7.4	88.7	6.71	12
	55.2	18.2	8.9	107.6	7.93	12
	69	21.8	9.8	118	9.15	12
	82.8	23.6	11.3	135.9	9.76	12
4 3.2 mm	13.8	9.5	4.6	55.2	4.88	12
	34.5	14.1	7.2	87.3	6.41	12
	55.2	17.7	9.2	110.4	7.93	13
	69	21.8	10.8	130.3	8.54	10
	82.8	22.7	11.7	141.6	8.54	10
5 4.0 mm	13.8	13.2	3.8	45.4	3.35	8
	34.5	18.6	6.8	82.1	5.49	12
	55.2	25.9	8.5	102.9	7.93	14
	69	30.5	9.7	116.6	7.93	12
	82.8	32.3	10	120.8	7.93	10

The information on this data sheet is accurate to the best of Conflow's knowledge, however we reserve the right to alter the product specification at any time. For any specific updated detail, please contact us.