

DUST SUPPRESSION

Pendulum Valves Code 15

Conflow is renowned the world over as the leading supplier of specialist components and systems for dust suppression, fire suppression and all aspects of water control in underground coal Mining.

Today Conflow products can be found operating both on the surface and underground in all the major mining industries, from coal to gold, in more than 30 countries around the world. Furthermore, wherever minerals are moved in bulk – such as quarries, power stations and steel works - Conflow products are helping to reduce the negative impact on the local environment.

At Conflow our aim is to provide you with a comprehensive range of services to meet your individual needs.



Description

The **Conflow Code 15 - Pendulum Valve** regulates the flow of fluid by movement of a vertically hanging paddle.

In its vertical, free hanging position the valve is closed. When a moving load contacts the paddle it swings away from the vertical. This movement causes a cam to rotate which opens a button valve allowing the fluid to flow.

Typical Applications

- Supplying dust suppression water at Belt conveyor transfer points, Chutes and bunkers and Feeder breakers
- Best used in conjunction with Conflow Code 1188 swivel sprays, or Conflow Code 96 Multidisc Cluster Spays.

Features

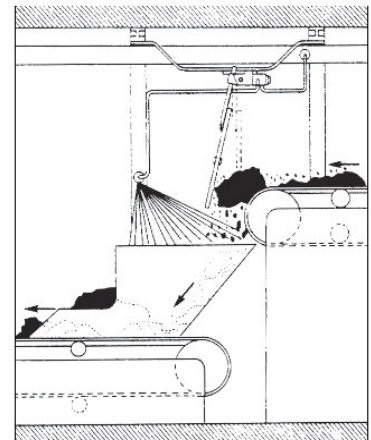
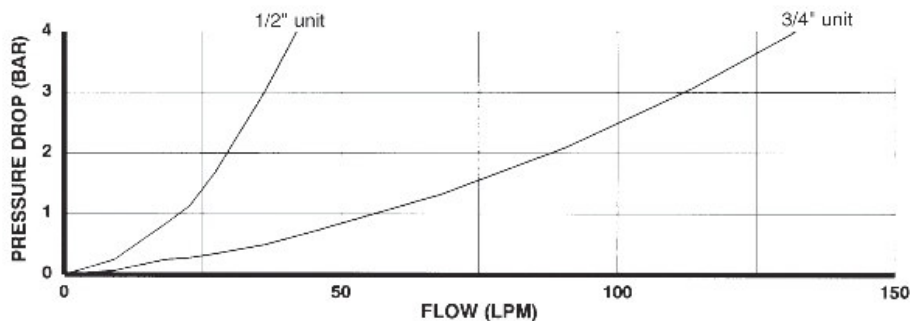
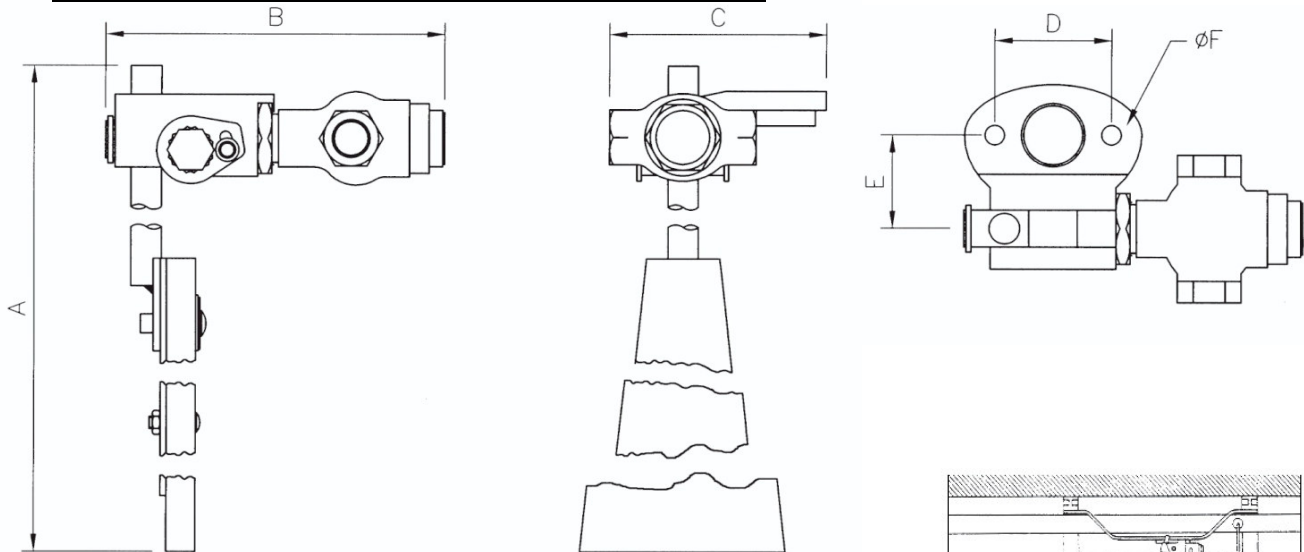
- Available in 1/2" and 3/4" sizes
- Maximum working pressure 105 bar
- Adjustable pendulum length
- Adjustable cam to control on/off limits
- Valve opens only when pendulum is moved from vertical position
- Fire resistant paddle

DUST SUPPRESSION

Pendulum Valves Code 15

Specifications

Dimension	Unit	1/2" Unit	3/4" Unit
A	mm	650 to 975	650 to 975
B	mm	235	260
C	mm	117	135
D	mm	95.25	95.25
E	mm	56	60
ØF	mm	14	14
Weight	Kg	8Kg	9Kg



The information on this data sheet is accurate to the best of Conflow's knowledge, however we reserve the right to alter the product specification at any time. For any specific updated detail, please contact us.

Conflow
President Park President Way Sheffield South Yorkshire S4 7UR
Tel: +44 (0) 114 224 0000 Fax: +44 (0) 114 278 4974
E-Mail: info@conflow.com Web: www.conflow.com

Conflow Inc
270 Meadowlands Blvd Washington PA 15301 U.S.A
Tel: (724) 746 0200 Fax: (724) 746 0940
E-Mail: sales@conflowusa.com Web: www.conflowusa.com